

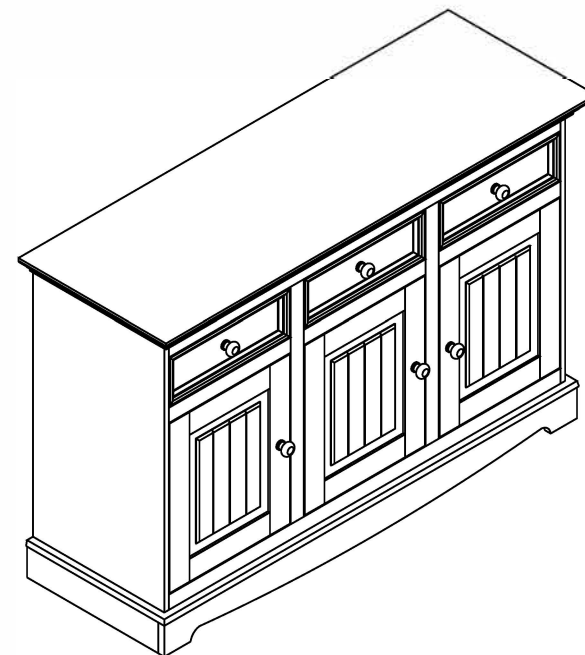
# BELLUNO

## KOMODA 3.3

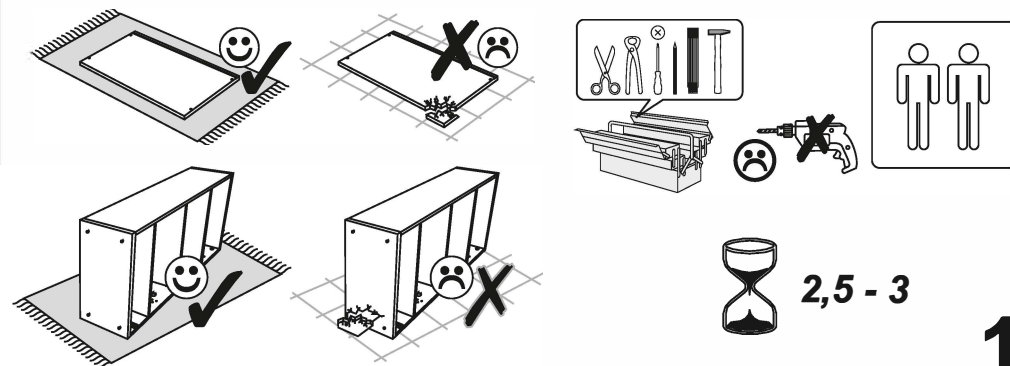
### PL002

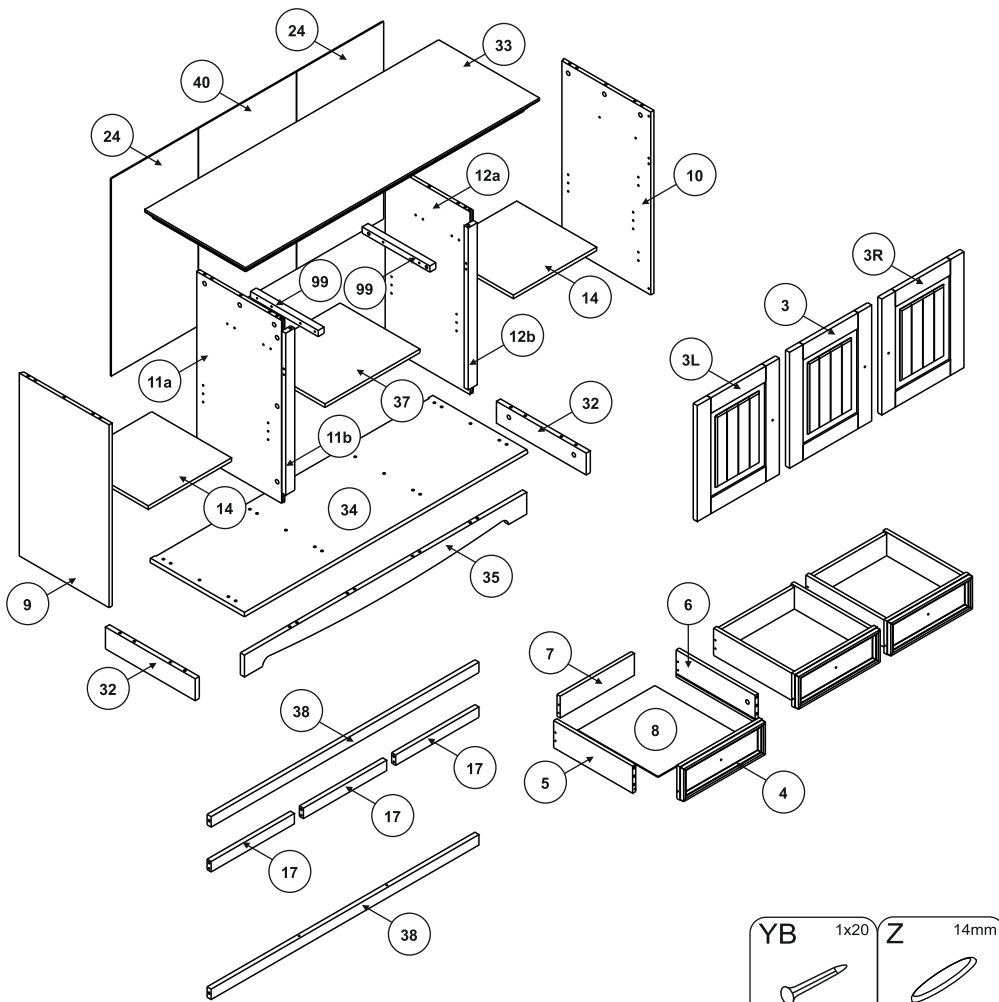


- |   |                                     |
|---|-------------------------------------|
| <b>(D)</b> Montageanleitung             | <b>(GB)</b> Assembly instructions   |
| <b>(FR)</b> Notice de montage           | <b>(IT)</b> Istruzioni di montaggio |
| <b>(NL)</b> Handleiding voor de montage | <b>(PL)</b> Instrukcja montażu      |
| <b>(CZ)</b> Montážní návod              | <b>(SK)</b> Návod na montáž         |
| <b>(HU)</b> Szerelési útmutató          | <b>(RO)</b> Instrucțiuni de montaj  |
| <b>(TR)</b> Montaj talimatı             | <b>(RU)</b> ИНСТРУКЦИЯ ПО МОНТАЖУ   |



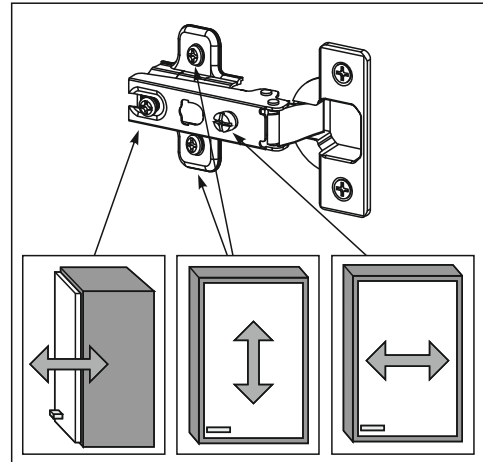
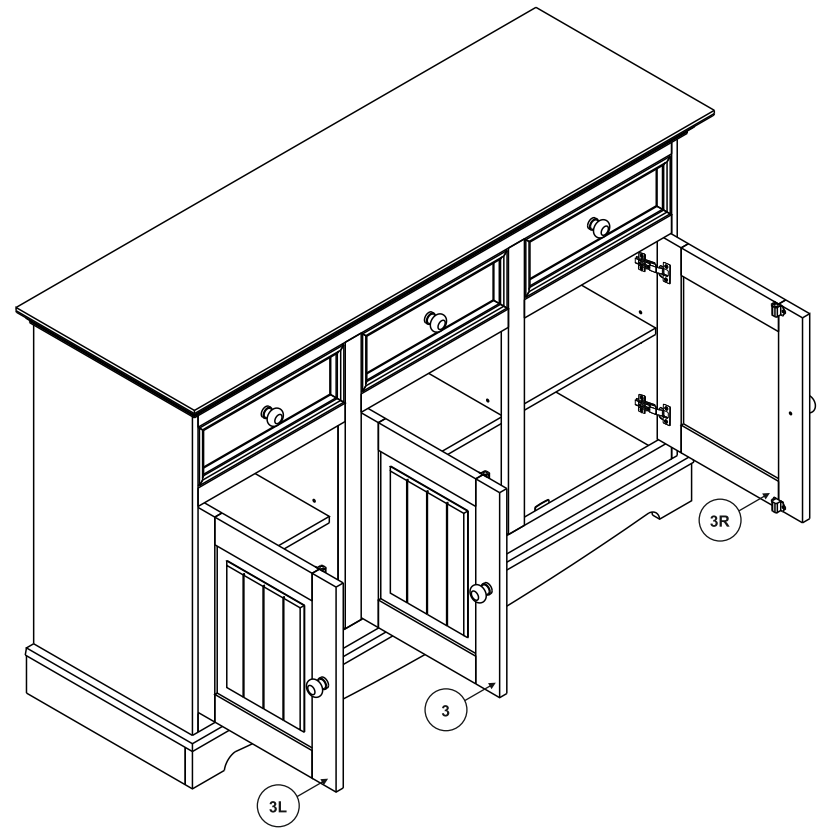
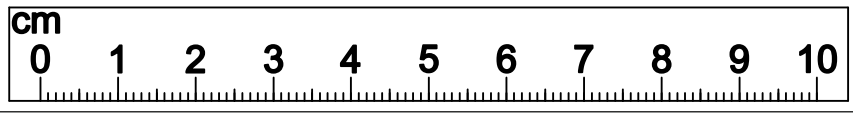
9.06.2016.



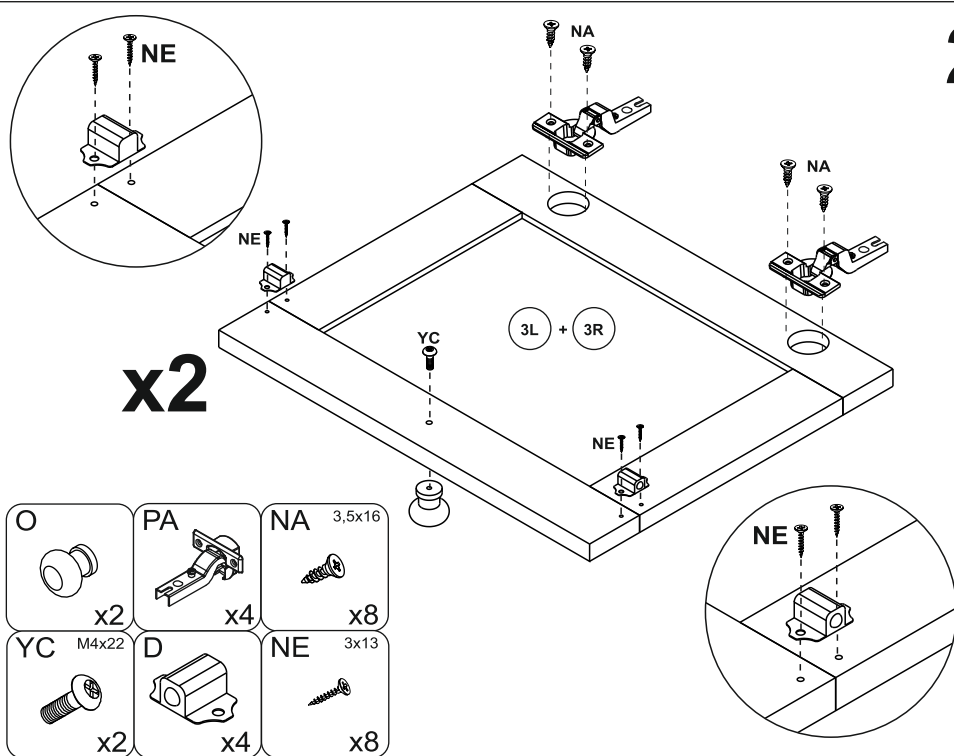


- |    |      |   |      |
|----|------|---|------|
| YB | 1x20 | Z | 14mm |
|    |      |   |      |
|    | x100 |   | x5   |

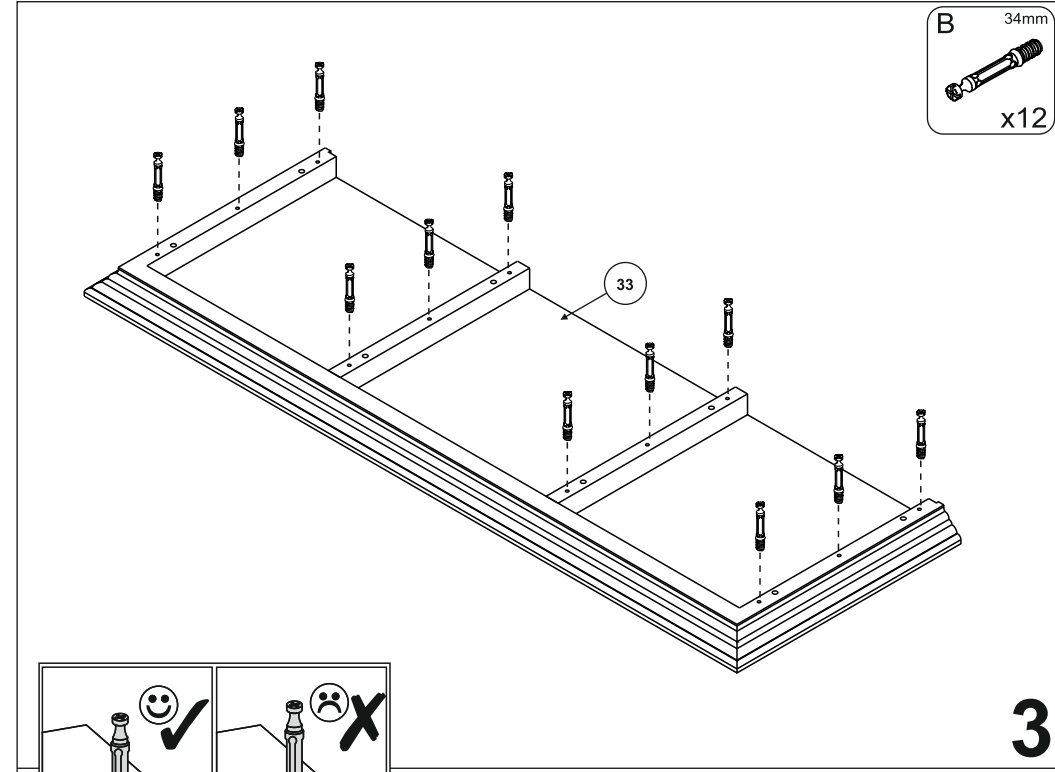
- |     |          |     |      |     |      |     |        |     |        |    |       |     |        |     |        |
|-----|----------|-----|------|-----|------|-----|--------|-----|--------|----|-------|-----|--------|-----|--------|
| A   | 8x35     | AB  | 5x30 | B   | 34mm | C   | 15x10  | D   |        | E  |       | G   | L=350  | H   | 6x10,5 |
|     |          |     |      |     |      |     |        |     |        |    |       |     |        |     |        |
| x24 |          | x22 |      | x40 |      | x40 |        | x6  |        | x6 |       | x3  |        | x12 |        |
| M   | 38x27x21 | MA  |      | N   | 3x10 | NA  | 3,5x16 | NB  | 3,5x35 | YC | M4x22 | ND  | 3,5x30 | NE  | 3x13   |
|     |          |     |      |     |      |     |        |     |        |    |       |     |        |     |        |
| x2  |          | x10 |      | x6  |      | x16 |        | x12 |        | x6 |       | x4  |        | x24 |        |
| O   |          | P   |      | R   |      | PA  |        | RA  |        | W  | 4mm   | Y   | 5mm    | YA  | 7x50   |
|     |          |     |      |     |      |     |        |     |        |    |       |     |        |     |        |
| x6  |          | x2  |      | x2  |      | x4  |        | x4  |        | x1 |       | x12 |        | x12 |        |



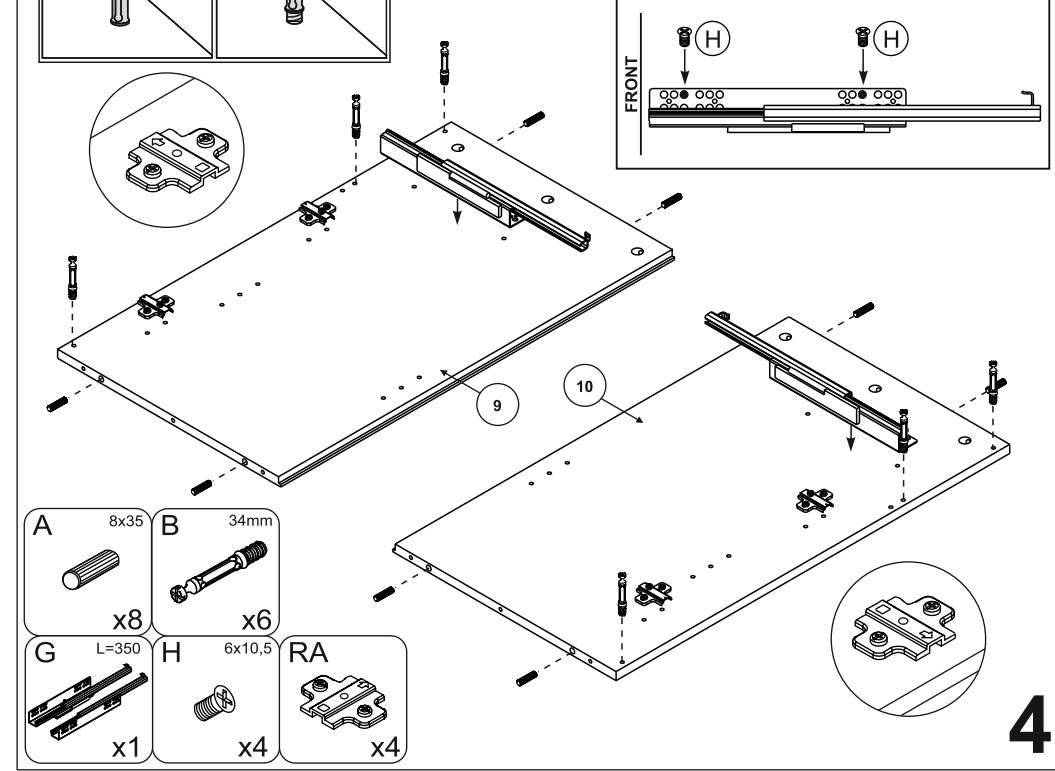
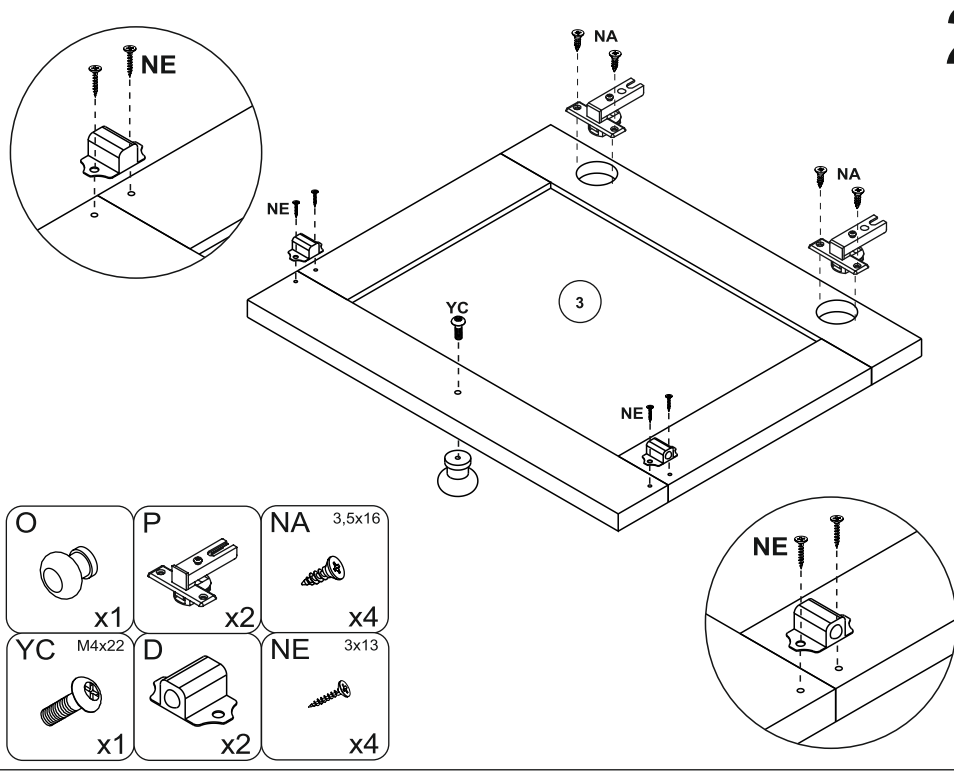
# 23



**B** 34mm  
x12



# 24

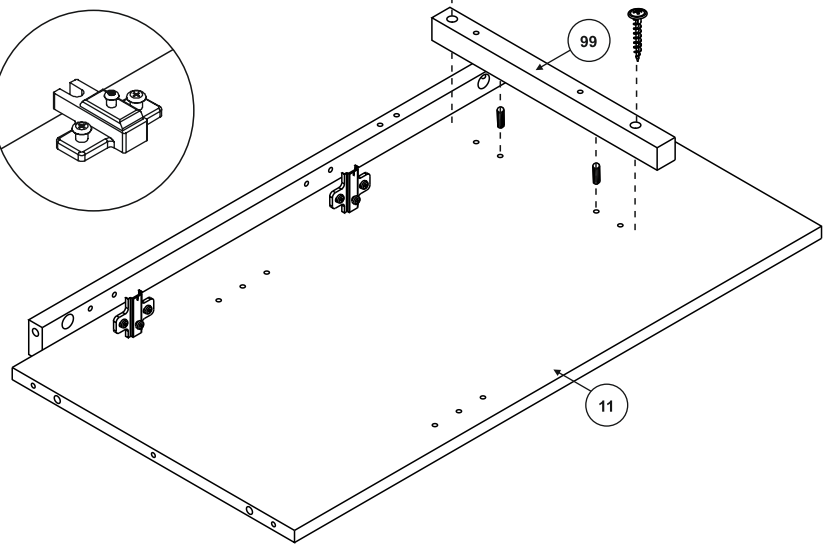
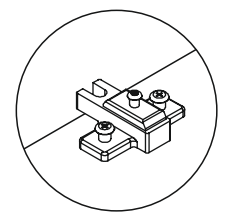


# 3

# 4

- R x2
- AB 5x30 x2
- ND 3,5x30 x2

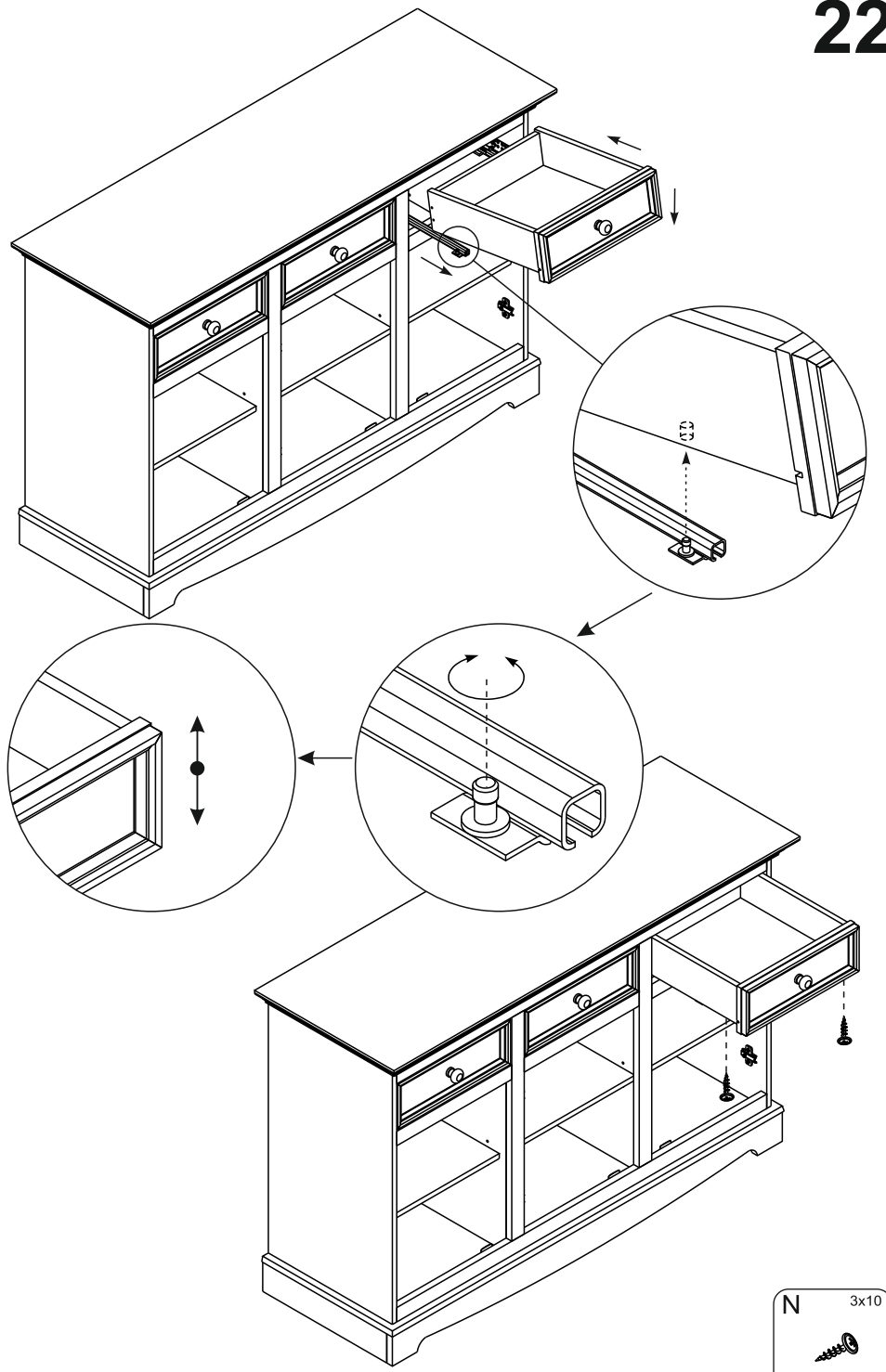
5



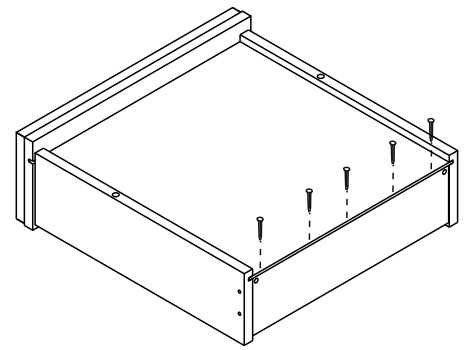
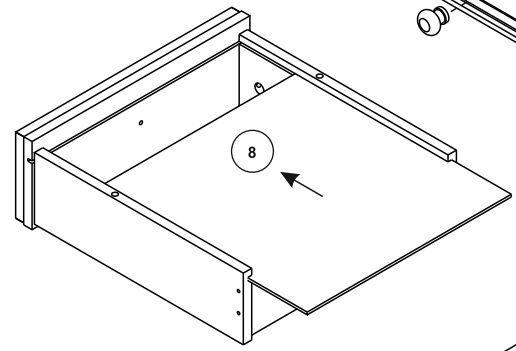
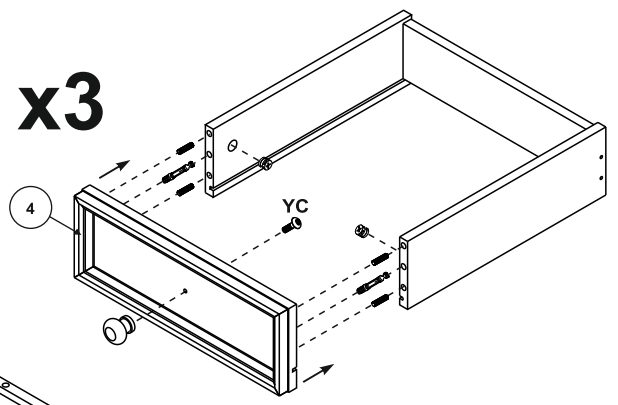
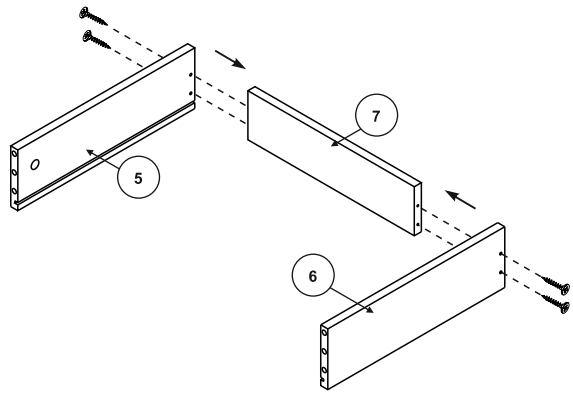
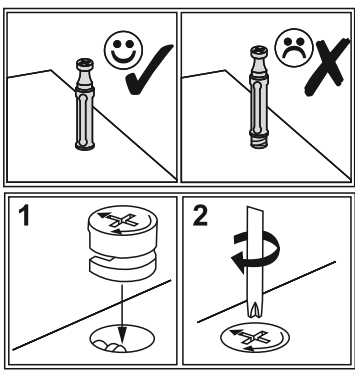
- A 8x35 x4
- B 34mm x2
- G L=350 x1
- H 6x10,5 x4

6

22



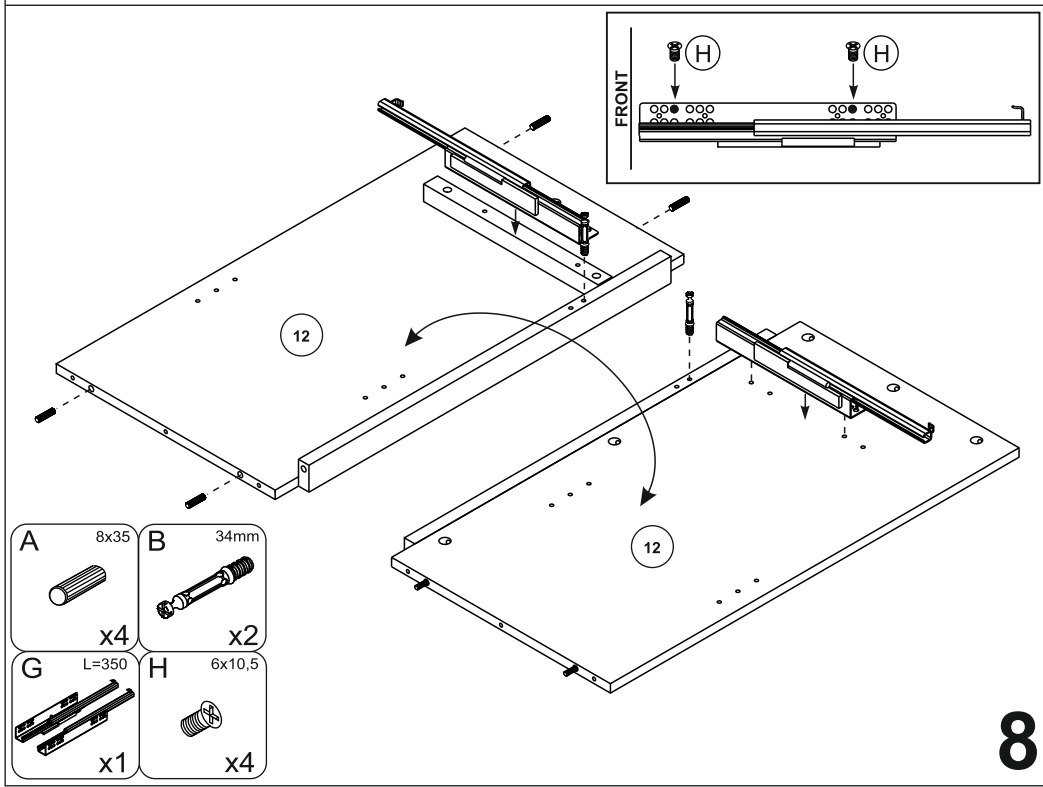
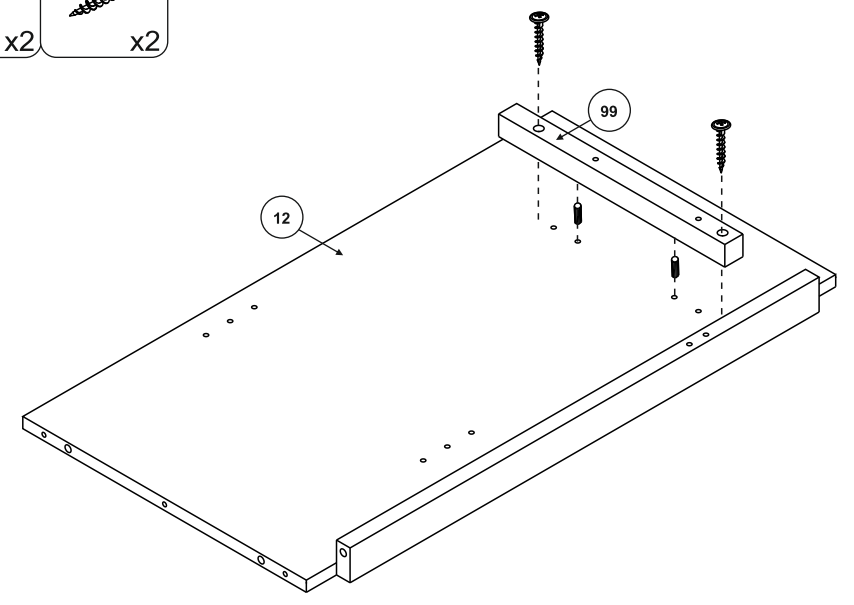
- N 3x10 x6



- NB** 3,5x35 x12
- YC** M4x22 x3
- O** x3
- YB** 1x20 x15
- AB** 5x30 x12
- B** 34mm x6
- C** 15x10 x6

21

- AB** 5x30 x2
- ND** 3,5x30 x2

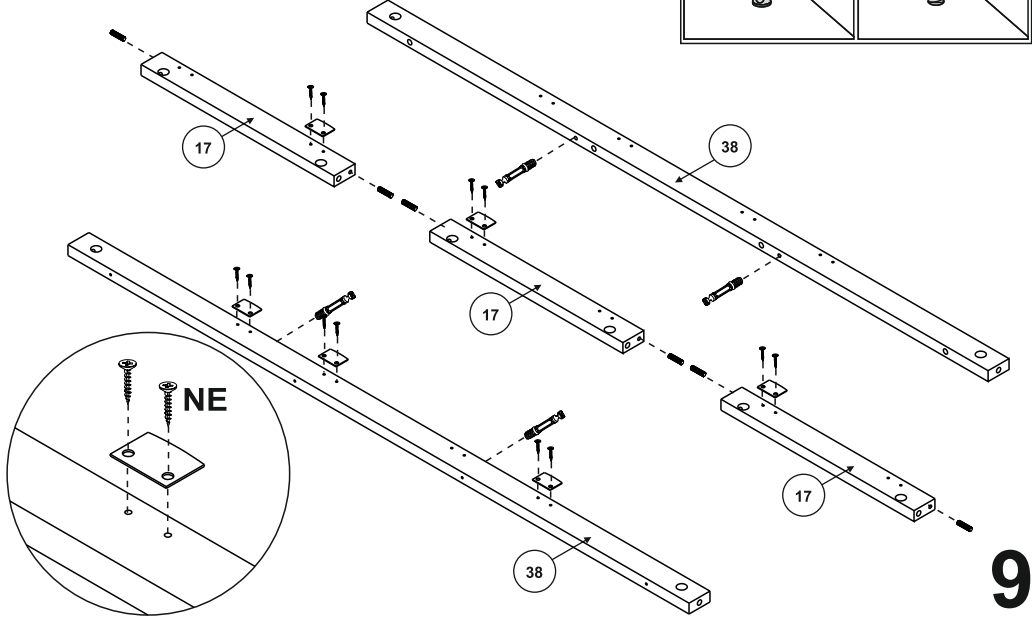
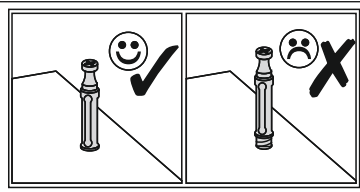


- A** 8x35 x4
- B** 34mm x2
- G** L=350 x1
- H** 6x10,5 x4

8

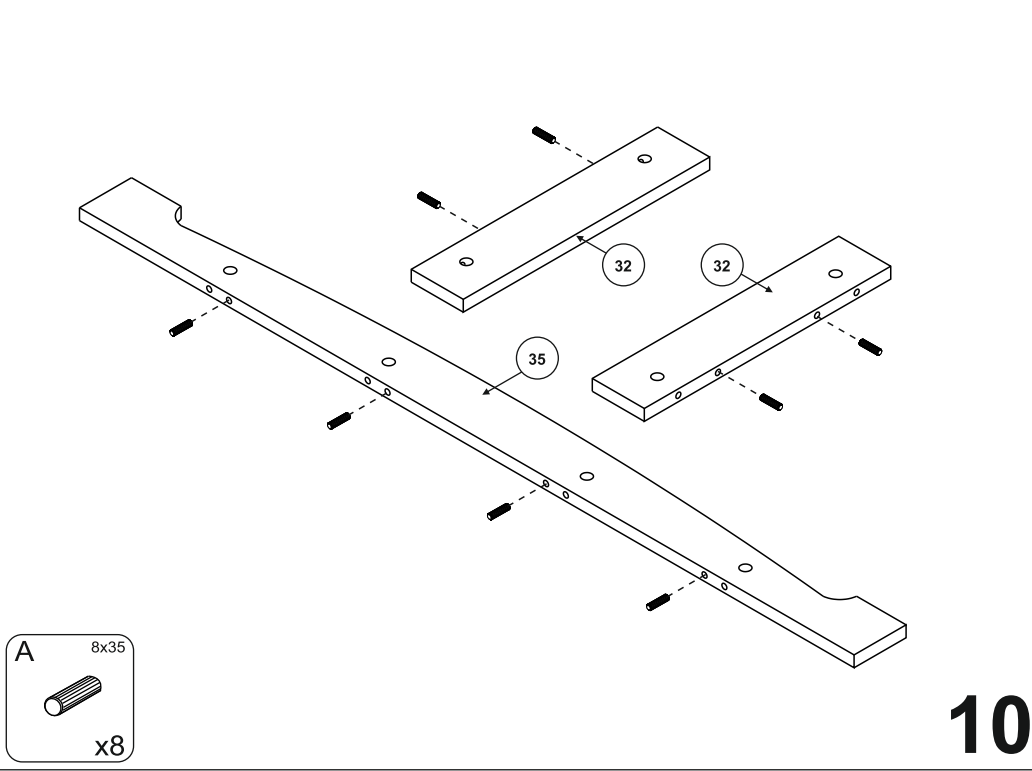
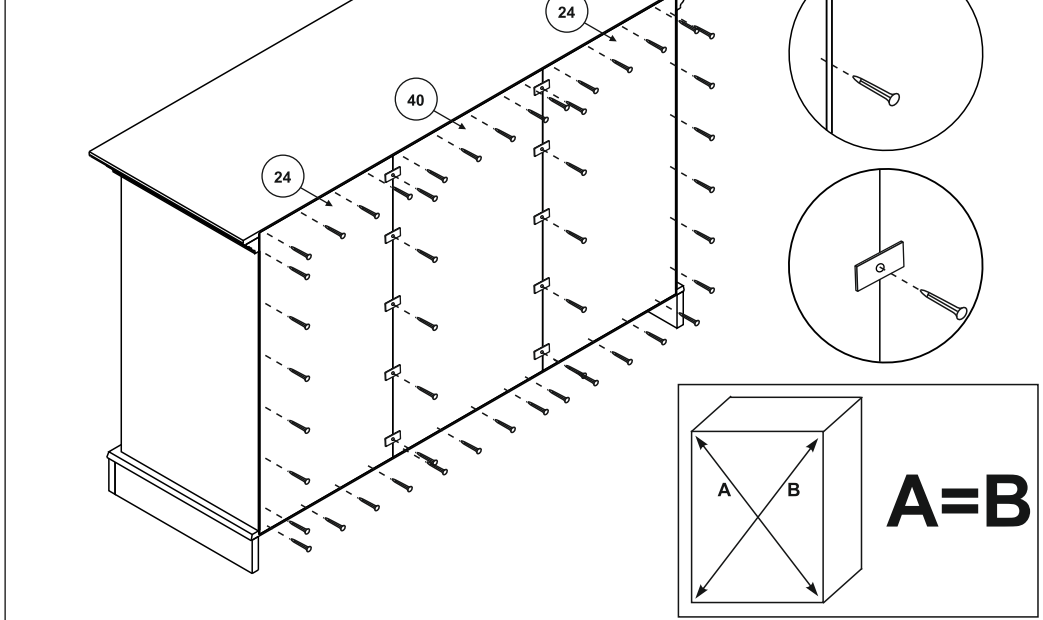
7

- E x6
- NE 3x13 x12
- AB 5x30 x6
- B 34mm x4



- YB 1x20 x85
- MA x10

19



- A 8x35 x8

- Y 5mm x12

20

